



INNOVATION INSIDE

NEW CR 1, 3, and 5

We've redesigned our CR line for increased economy and performance

Grundfos is known for our strong commitment to research and cutting-edge technology. To that end, we've redesigned our multistage CR pumps. The CR has long been the industry standard for reliability and economy. Even so, important improvements come from talking with the people who work with our pumps every day. We've replaced the CR/CRN 2 and 4 with four pump sizes ideally suited to your applications: CR1s, 1, 3, and 5, all in material versions CR/CRI/CRN. New features you'll appreciate:

A hard-wearing, easy-to-replace cartridge seal minimizes downtime



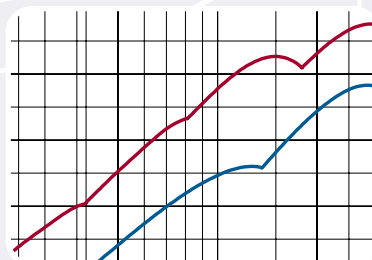
Superior reliability with added protection against dry-running



More standard connections, including threaded and flanged, plus customized connections.



Unmatched operating economy from state-of-the-art pump efficiency



New sizes

We've heard that 15% of CR2 pumps are used for flows under 5 gpm, so we've designed the CR1s with an optimal duty point of 4 gpm.

The new narrower interval between pump sizes and wider range results in a better match with pump capacity, motor size, and system requirements. This cuts investment and operating costs.

New sizes, features, and the available materials provide thousands of possible configurations to ensure you get the right pump for the job.

Connections

We offer additional standard connections, including threaded and flanged, plus victaulic, clamp, and union. Customized connections are available.

Dimensions

Connection dimensions haven't changed and are 100% interchangeable. However, improvements resulted in minor changes in pump height, which could affect your system. We're ready to assist you in the transition to the new CR line.

Conversion software

We've enclosed a CD-ROM with software to help you select the CR that matches your requirements. You can compare the performance and dimensions of the new CR line with those of the CR/CRN 2 and 4. The CD-ROM provides downloadable CAD drawings.

Superior reliability

Dry-running is the most common cause of pump failure. The new Grundfos LiqTec™ pump accessory shuts the pump down the instant it runs dry. Plus, we've improved pump components to better withstand brief periods of dry-running.

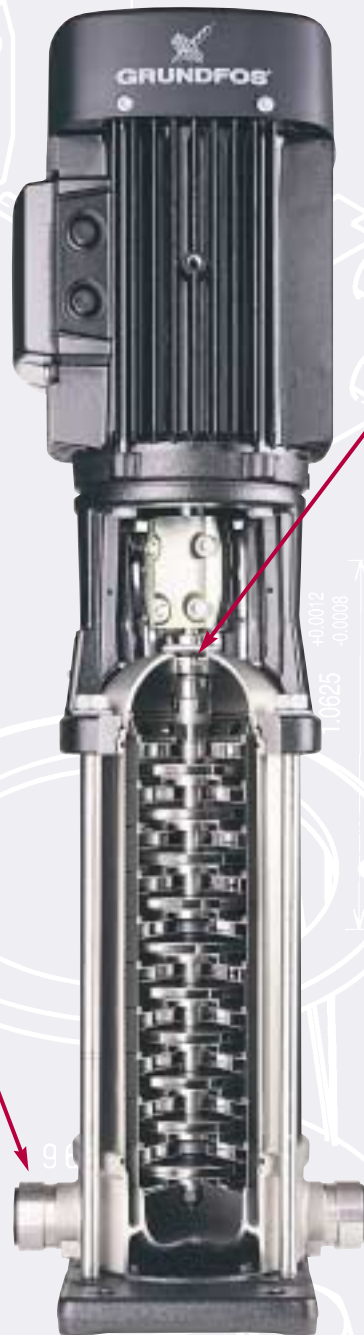
Connection options

A broad range of connections match any system requirement.

Oval flange



Flexiclamp



New cartridge seal increases reliability and allows easier access

Hard-wearing materials prolong the life of the seal and minimize downtime for your system. Seal components are combined into a single cartridge unit for fast replacement when the seal finally wears out.

With the cartridge seal, there's no risk of assembling seal components incorrectly. Plus, the seal surfaces are protected against impurities.

Unmatched operating economy

85% of the cost of owning and operating a pump is for the electricity to run it. Redesigning our CR pumps resulted in a 10% increase in efficiency and a resulting decrease in power consumption costs.

Innovation inside: Grundfos new CR

Grundfos engineers gave our CR pumps a makeover:

- **Four new CR pumps** make it easier for you to find the right pump size
- **A redesigned cartridge seal** integrates seal components into a single unit that's easy to replace
- **Hard-wearing materials** prolong the life of the seal and the pump itself
- **Our new LiqTec™ dry-run detector** shuts down the pump before damage occurs
- **Increased reliability and operating economy** give you more peace of mind

We're proud to introduce a new generation of our pioneering CR pumps you and your customers will appreciate.

Distributed by:
Industrial Equipment
 830 Cherry Street
 Chico, CA 95928
 (800) 287-8306

North American Regional Headquarters
 Grundfos Pumps Corporation
 17100 W. 118th Terrace
 Olathe, KS 66061
 Telephone (913) 227-3400
 Fax: (913) 227-3500

Grundfos Canada, Inc.
 2941 Brighton Road
 Oakville, Ontario L6H6C9, Canada
 Telephone: (905) 829-9533
 Fax: (905) 829-9512

Bombas Grundfos de Mexico, S.A. de C.V.
 Boulevard TLC#15
 Parque Industrial Sitva Aeropuerto
 C.P. 66600 Apodaca, N.L. Mexico
 Telephone: 011-52-8-144-4000
 Fax: 52-8-144-4010

L-CR-SL-002 10/01
 PRINTED IN USA