



MOSMATIC

# CEILING BOOM

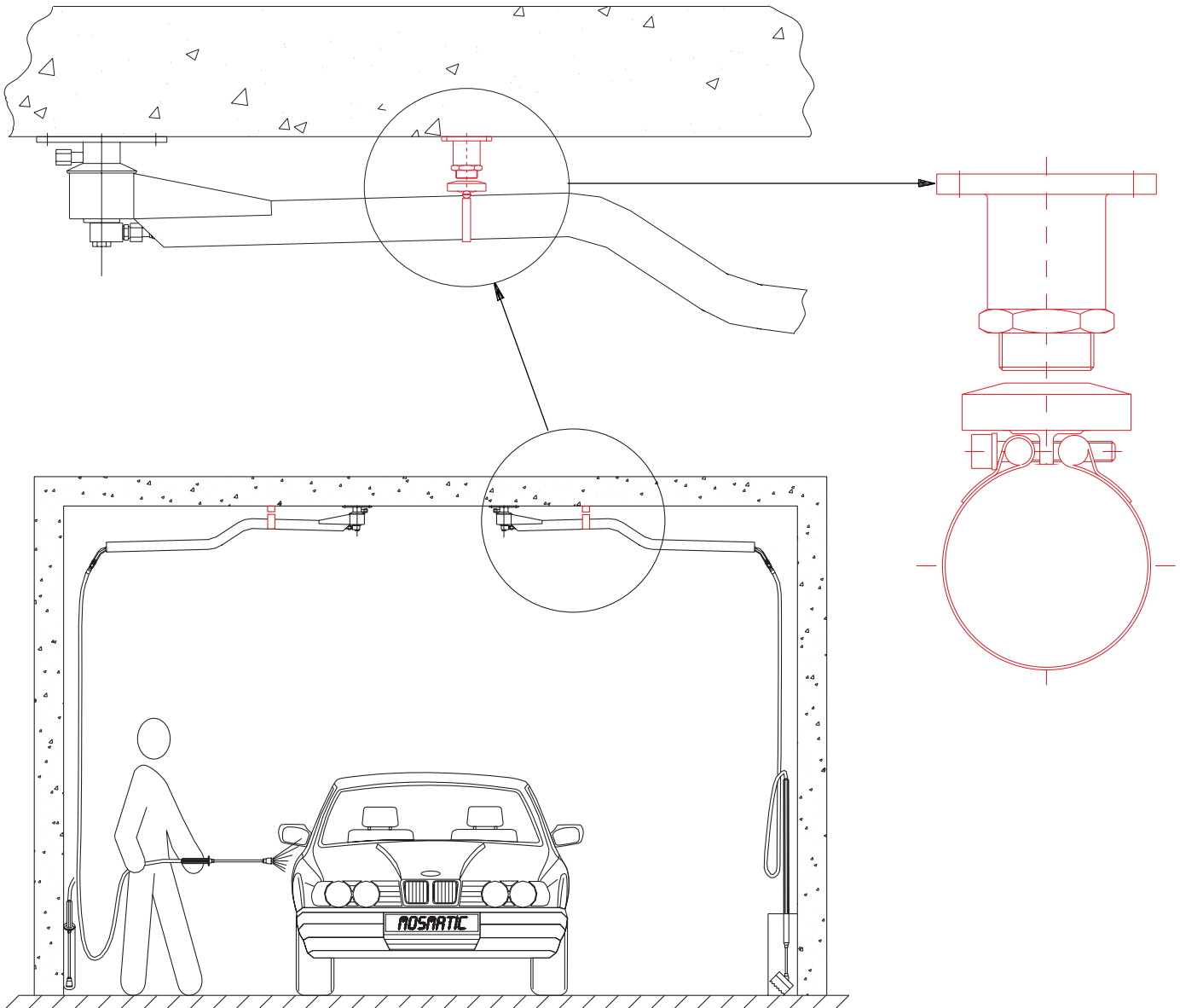
# DKZ / DKP / DKF

Positioning Device for Mosmatic P-series

stainless

**Great New Feature** available for all single pipe-series ceiling booms.

With the installation of this unique **Positioning Device** you will ad more comfort for the carwash customer. The device is specially designed to park the ceiling boom in the position you assigned. Positioning device is easy to install and can be added to previously installed single pipe-series ceiling booms.



Positioning Device			
Part No.	Size	Weight	Height
65.911	5" x 4" x 2"	2 lbs	adjustable

Part No. 65.911 (includes 1 device)

**Distributed by: Industrial Equipment**

830 Cherry street  
Chico, CA 95928  
(800) 287-8306

Technologie du nettoyage haute pression  
Tecnologia di lavaggio ad alta pressione  
High Pressure Cleaning Technology  
Hochdruck-Reinigungs-Technik



Bristol, WI 53104, USA, Phone: 1-800-788-9880 Fax: 262-857-2421  
Internet: www.mosmatic.com e-MAIL: swivels@mosmatic.com

A25  
POD